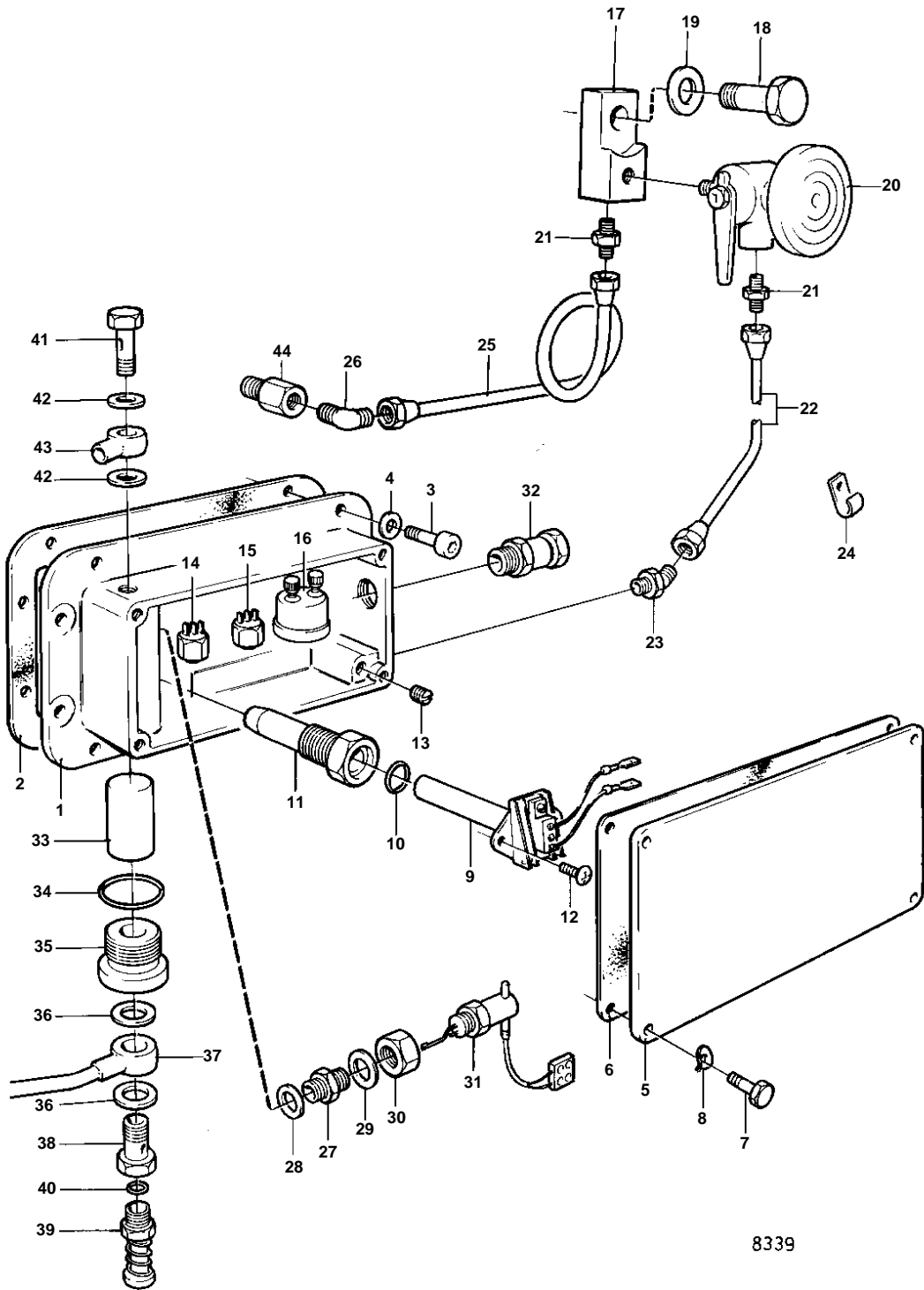


D70CHC,D70CRC,TD70CHC,TD70CRC



8339

D70CHC,D70CRC,TD70CHC,TD70CRC

REF	PART NO.	QTY	DESCRIPTION	NOTES
1	843635	1	Housing	
2	847307	1	Starter motor	(823185)
3	956569	12	Screw	
4	11992	12	Gasket	
5	843636	1	Cover	
6	843638	1	Gasket	
7	955271	4	Screw	
8	941906	4	Spring washer	
9	843768	1	Thermo monitor	
10	957179	1	Gasket	
11	843288	1	Sleeve	
12	956062	2	Screw	
13	16325	5	Plug	
14	848368	1	Pressure switch	ALARM (843813)
15	864284	1	Pressure monitor	STOP (848367)
16	881432	1	Pressure sensor	
17	844120	1	Bracket	
18	955568	1	Screw	
19	955898	1	Washer	
20	836273	1	Tap	
21	954335	2	Fitting	
22	845690	1	Oil pipe	
	846618	1	Oil pipe	ENGINE WITH OIL SUPERVISION IN REAR OIL PAN COVER.
23	831965	1	Nipple	
24	18301	1	Clamp	
	942400	2	Clamp	ENGINE WITH OIL SUPERVISION IN REAR OIL PAN COVER.
25	845689	1	Tube	SEE GROUP 2C
26	954342	1	Elbow union	
27	843688	1	Nipple	
28	15304	1	Gasket	
29	957181	1	Gasket	
30	843640	1	Lock nut	
31	843757	1	Flow sensor	
32	881193	1	Cable union	
33	843815	1	Float	
34	957191	1	Gasket	
35	843639	1	Plug	
36	957178	2	Gasket	
37	845674	1	Oil pipe	SEE GROUP 2C
	846617	1	Oil pipe	SEE GROUP 2C. ENGINE WITH OIL SUPERVISION IN REAR OIL PAN COVER.
38	823417	1	Hollow screw	
39	844770	1	Valve	
40	960202	1	O-ring	
41	25167	1	Hollow screw	
42	957178	2	Gasket	
43	25168	1	Banjo nipple	
44	835980	1	Nipple	